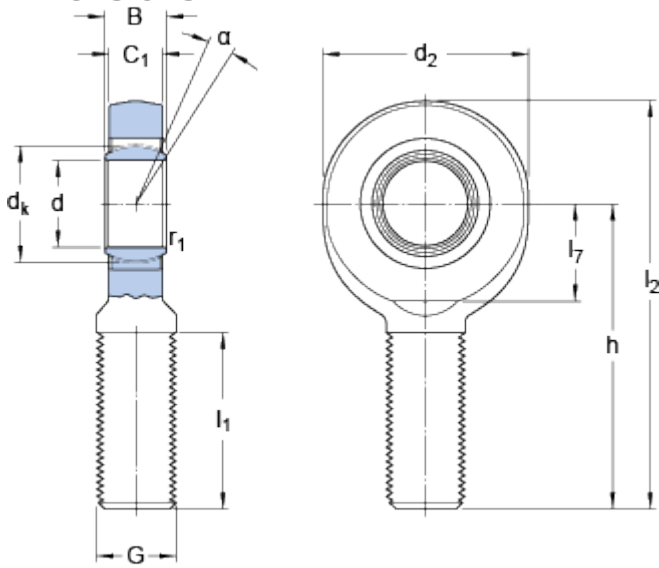


SA 10 C

Dimensions



d		10	mm
d_2	max.	30	mm
B		9	mm
G		M 10	
C_1	max.	7.5	mm
h		48	mm
α		12	°
d_k		16	mm
l_1	min.	26	mm
l_2	max.	65	mm
l_7	min.	13	mm
r_1	min.	0.3	mm

Calculation data

Basic dynamic load rating	C	8.65	kN
Basic static load rating	C	18.3	kN
Specific dynamic load factor	K	100	N/mm ²
Material constant	K_M	1400	

Mass

Mass rod end	0.053	kg
--------------	-------	----