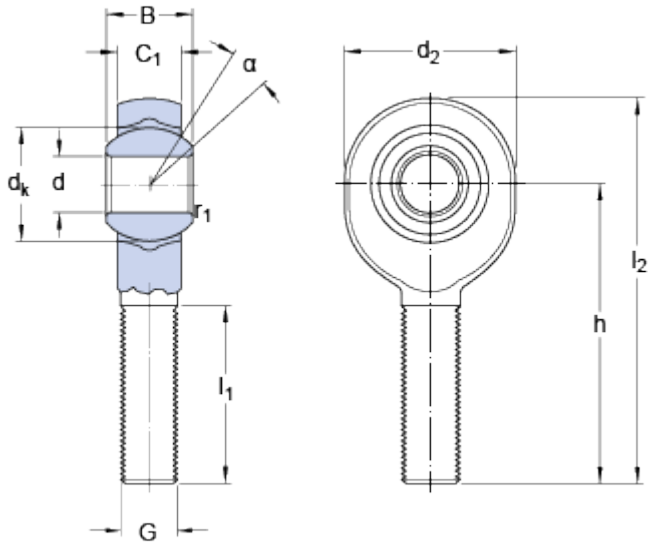


SALKB 6 F

Dimensions



d		6	mm
d_2	max.	21	mm
B		9	mm
G		M 6	
C_1	max.	7.5	mm
h		36	mm
α		13	°
d_k		12.7	mm
l_1	min.	21	mm
l_2	max.	48	mm
r_1	min.	0.3	mm

Calculation data

Basic dynamic load rating	C	4.25	kN
Basic static load rating	C	6.8	kN
Specific dynamic load factor	K	50	N/mm ²
Material constant	K_M	530	

Mass

Mass rod end	0.021	kg
--------------	-------	----