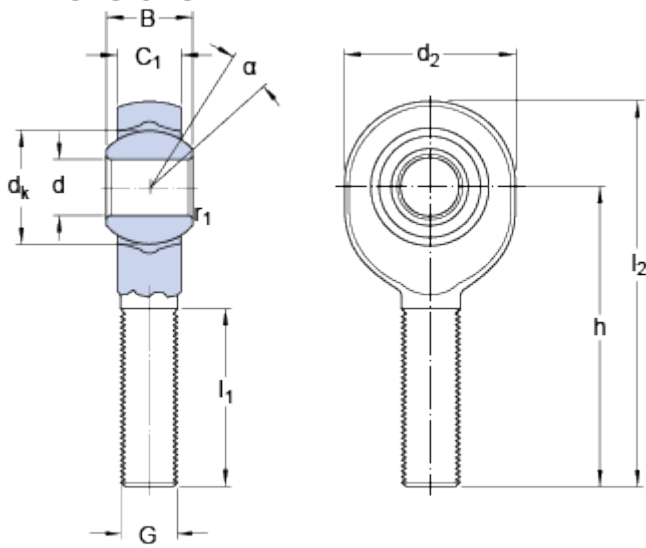


# SALKB 12 F

## Dimensions



d		12	mm
d <sub>2</sub>	max.	33	mm
B		16	mm
G		M 12	
C <sub>1</sub>	max.	12.5	mm
h		54	mm
α		13	°
d <sub>k</sub>		22.2	mm
l <sub>1</sub>	min.	32	mm
l <sub>2</sub>	max.	72	mm
r <sub>1</sub>	min.	0.3	mm

## Calculation data

Basic dynamic load rating	C	13.2	kN
Basic static load rating	C	15	kN
Specific dynamic load factor	K	50	N/mm <sup>2</sup>
Material constant	K <sub>M</sub>	530	

## Mass

Mass rod end		0.1	kg
--------------	--	-----	----