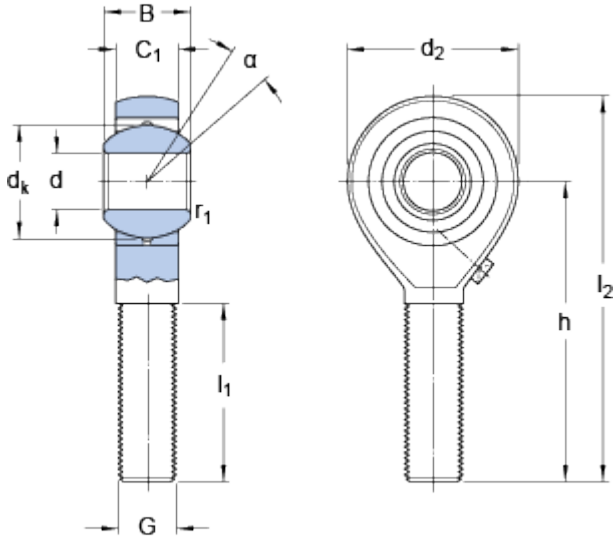


SALKAC 6 M

Dimensions



d		6	mm
d ₂	max.	21	mm
B		9	mm
G		M 6	
C ₁	max.	7.5	mm
h		36	mm
α		13	°
d _k		12.7	mm
l ₁	min.	21	mm
l ₂	max.	48	mm
r ₁	min.	0.3	mm

Calculation data

Basic dynamic load rating	C	4.3	kN
Basic static load rating	C	4.8	kN
Specific dynamic load factor	K	50	N/mm ²
Material constant	K _M	330	

Mass

Mass rod end		0.02	kg
--------------	--	------	----