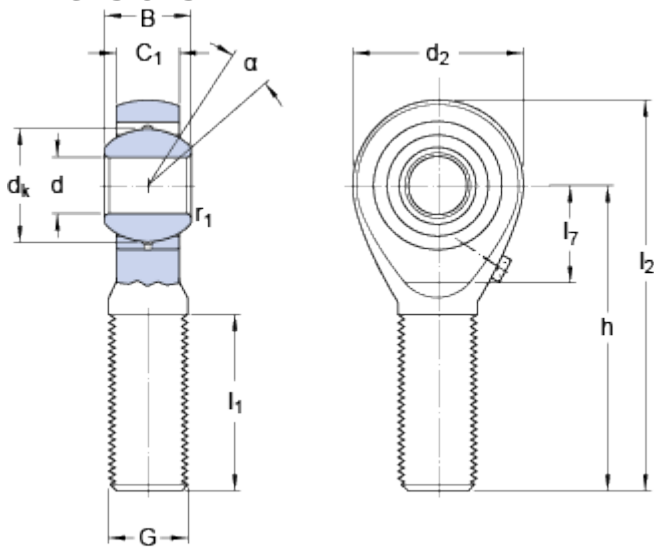


SALKAC 25 M

Dimensions



d	25	mm
d ₂	max. 61	mm
B	31	mm
G	M 24x2	
C ₁	max. 23	mm
h	94	mm
α	15	°
d _k	42.8	mm
l ₁	min. 55	mm
l ₂	max. 127	mm
r ₁	min. 0.3	mm

Calculation data

Basic dynamic load rating	C	46.5	kN
Basic static load rating	C	46.5	kN
Specific dynamic load factor	K	50	N/mm ²
Material constant	K _M	330	

Mass

Mass rod end	0.6	kg
--------------	-----	----