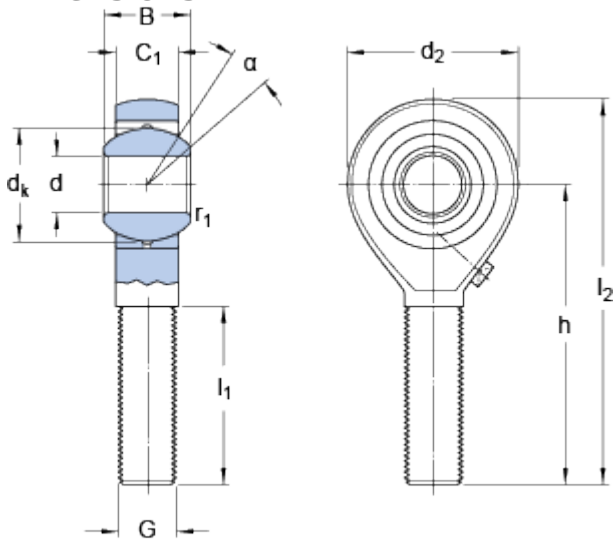


SALKAC 10 M

Dimensions



d		10	mm
d ₂	max.	29	mm
B		14	mm
G		M 10	
C ₁	max.	11.5	mm
h		48	mm
α		13	°
d _k		19	mm
l ₁	min.	28	mm
l ₂	max.	64	mm
r ₁	min.	0.3	mm

Calculation data

Basic dynamic load rating	C	10	kN
Basic static load rating	C	10.8	kN
Specific dynamic load factor	K	50	N/mm ²
Material constant	K _M	330	

Mass

Mass rod end	0.054	kg
--------------	-------	----