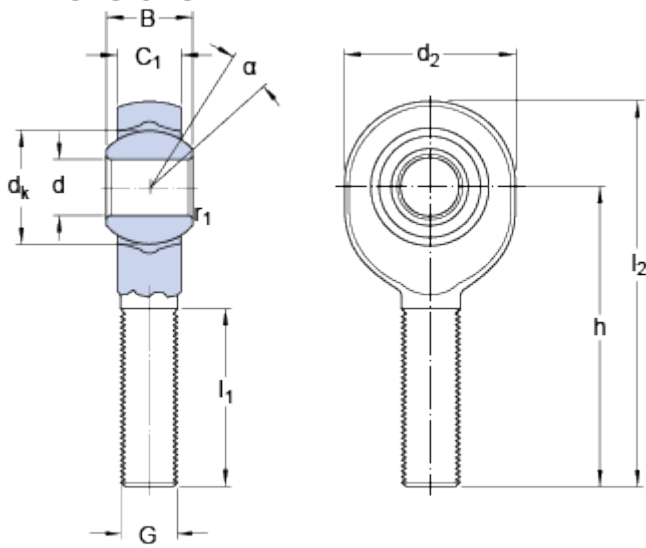


# SAKB 6 F

## Dimensions



d		6	mm
d <sub>2</sub>	max.	21	mm
B		9	mm
G		M 6	
C <sub>1</sub>	max.	7.5	mm
h		36	mm
α		17	°
d <sub>k</sub>		12.7	mm
l <sub>1</sub>	min.	21	mm
l <sub>2</sub>	max.	48	mm
r <sub>1</sub>	min.	0.3	mm

## Calculation data

Basic dynamic load rating	C	4.25	kN
Basic static load rating	C	6.8	kN
Specific dynamic load factor	K	50	N/mm <sup>2</sup>
Material constant	K <sub>M</sub>	530	

## Mass

Mass rod end	0.021	kg
--------------	-------	----