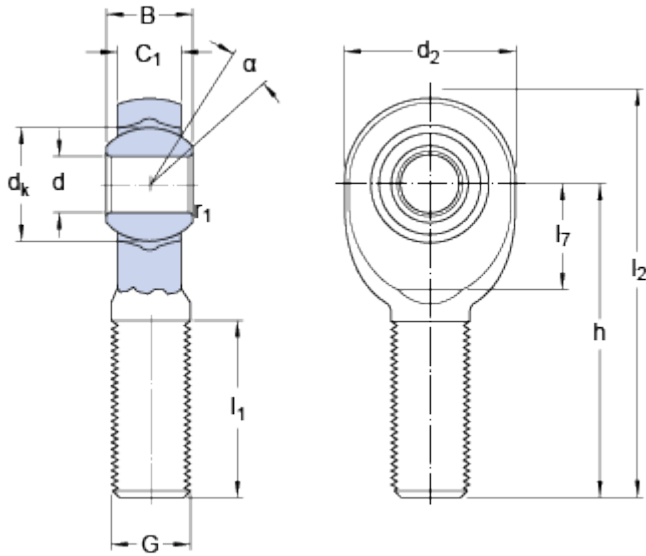


SAKB 16 F

Dimensions



d		16	mm
d ₂	max.	43	mm
B		21	mm
G		M 16	
C ₁	max.	15.5	mm
h		66	mm
α		16	°
d _k		28.5	mm
l ₁	min.	37	mm
l ₂	max.	89	mm
l ₇	min.	21	mm
r ₁	min.	0.3	mm

Calculation data

Basic dynamic load rating	C	21.4	kN
Basic static load rating	C	34.5	kN
Specific dynamic load factor	K	50	N/mm ²
Material constant	K _M	530	

Mass

Mass rod end		0.2	kg
--------------	--	-----	----