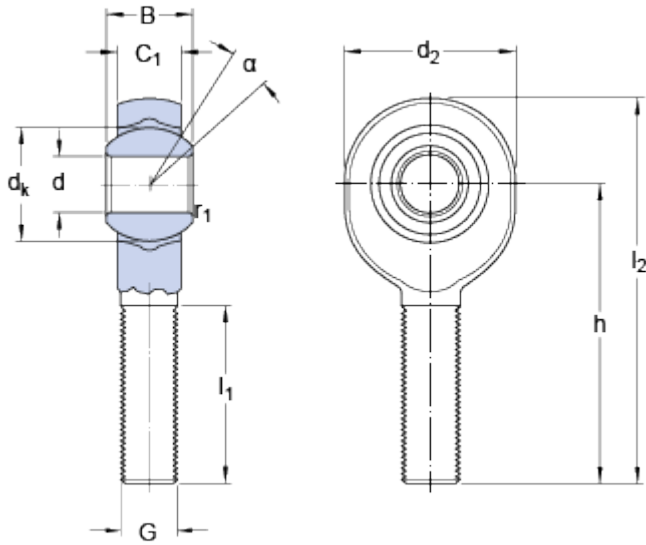


# SAKB 14 F

## Dimensions



|                |      |      |    |
|----------------|------|------|----|
| d              |      | 14   | mm |
| d <sub>2</sub> | max. | 37   | mm |
| B              |      | 19   | mm |
| G              |      | M 14 |    |
| C <sub>1</sub> | max. | 14.5 | mm |
| h              |      | 60   | mm |
| α              |      | 16   | °  |
| d <sub>k</sub> |      | 25.4 | mm |
| l <sub>1</sub> | min. | 36   | mm |
| l <sub>2</sub> | max. | 80   | mm |
| l <sub>7</sub> | min. | 18   | mm |
| r <sub>1</sub> | min. | 0.3  | mm |

## Calculation data

|                              |                |      |                   |
|------------------------------|----------------|------|-------------------|
| Basic dynamic load rating    | C              | 17   | kN                |
| Basic static load rating     | C              | 25.5 | kN                |
| Specific dynamic load factor | K              | 50   | N/mm <sup>2</sup> |
| Material constant            | K <sub>M</sub> | 530  |                   |

## Mass

|              |  |      |    |
|--------------|--|------|----|
| Mass rod end |  | 0.13 | kg |
|--------------|--|------|----|