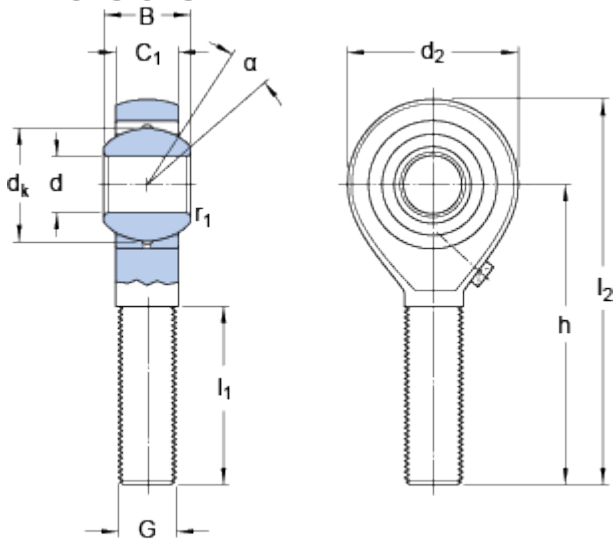


SAKAC 8 M

Dimensions



d		8	mm
d ₂	max.	25	mm
B		12	mm
G		M 8	
C ₁	max.	9.5	mm
h		42	mm
α		14	°
d _k		15.8	mm
l ₁	min.	25	mm
l ₂	max.	56	mm
r ₁	min.	0.3	mm

Calculation data

Basic dynamic load rating	C	7.2	kN
Basic static load rating	C	8	kN
Specific dynamic load factor	K	50	N/mm ²
Material constant	K _M	330	

Mass

Mass rod end		0.032	kg
--------------	--	-------	----