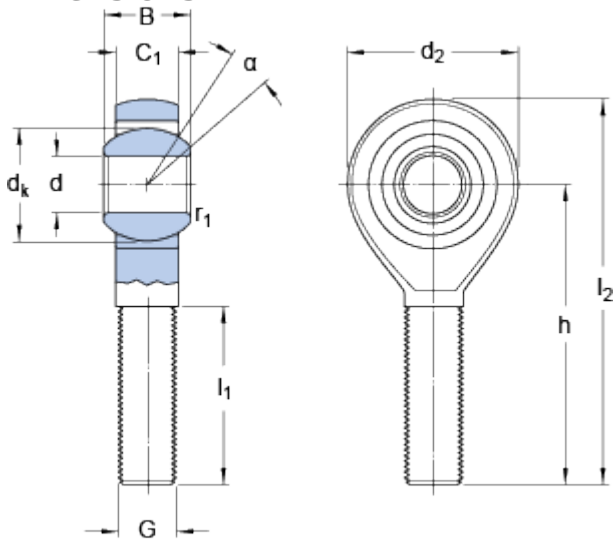


# SAKAC 5 M

## Dimensions



d		5	mm
d <sub>2</sub>	max.	19	mm
B		8	mm
G		M 5	
C <sub>1</sub>	max.	7.5	mm
h		33	mm
α		13	°
d <sub>k</sub>		11.1	mm
l <sub>1</sub>	min.	19	mm
l <sub>2</sub>	max.	44	mm
r <sub>1</sub>	min.	0.3	mm

## Calculation data

Basic dynamic load rating	C	3.25	kN
Basic static load rating	C	4.8	kN
Specific dynamic load factor	K	50	N/mm <sup>2</sup>
Material constant	K <sub>M</sub>	330	

## Mass

Mass rod end	0.013	kg
--------------	-------	----