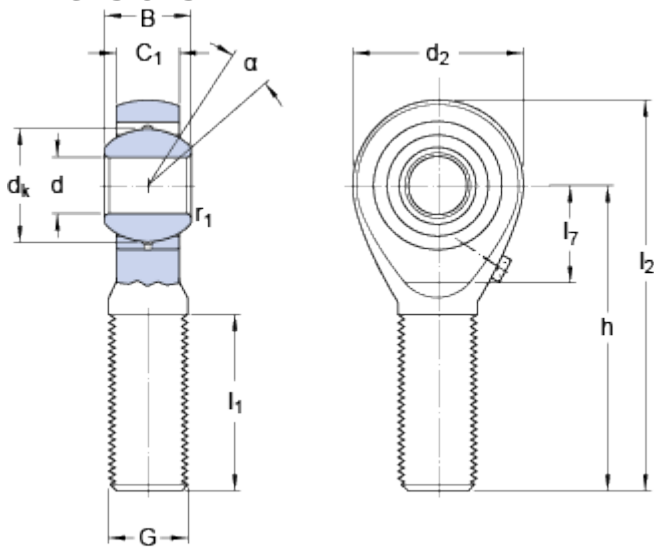


SAKAC 30 M

Dimensions



d	30	mm
d ₂	max. 71	mm
B	37	mm
G	M 30x2	
C ₁	max. 27	mm
h	110	mm
α	17	°
d _k	50.8	mm
l ₁	min. 66	mm
l ₂	max. 148	mm
r ₁	min. 0.3	mm

Calculation data

Basic dynamic load rating	C	61	kN
Basic static load rating	C	61	kN
Specific dynamic load factor	K	50	N/mm ²
Material constant	K _M	330	

Mass

Mass rod end	1.05	kg
--------------	------	----