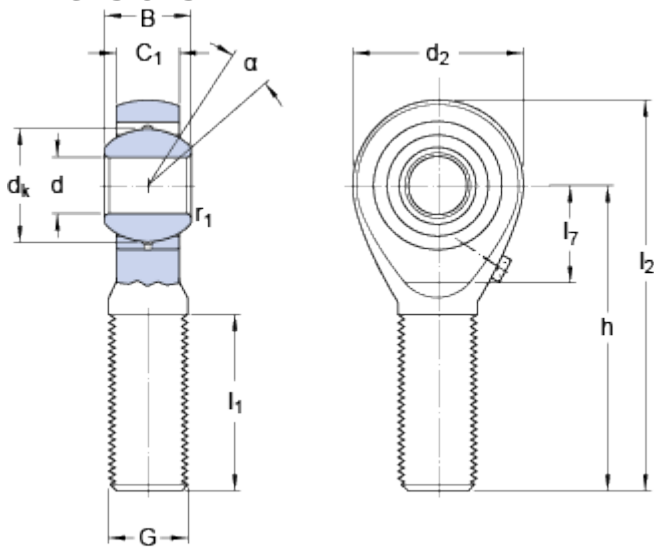


SAKAC 25 M

Dimensions



d		25	mm
d_2	max.	61	mm
B		31	mm
G		M 24x2	
C_1	max.	23	mm
h		94	mm
α		15	°
d_k		42.8	mm
l_1	min.	55	mm
l_2	max.	127	mm
r_1	min.	0.3	mm

Calculation data

Basic dynamic load rating	C	46.5	kN
Basic static load rating	C	46.5	kN
Specific dynamic load factor	K	50	N/mm ²
Material constant	K_M	330	

Mass

Mass rod end		0.6	kg
--------------	--	-----	----