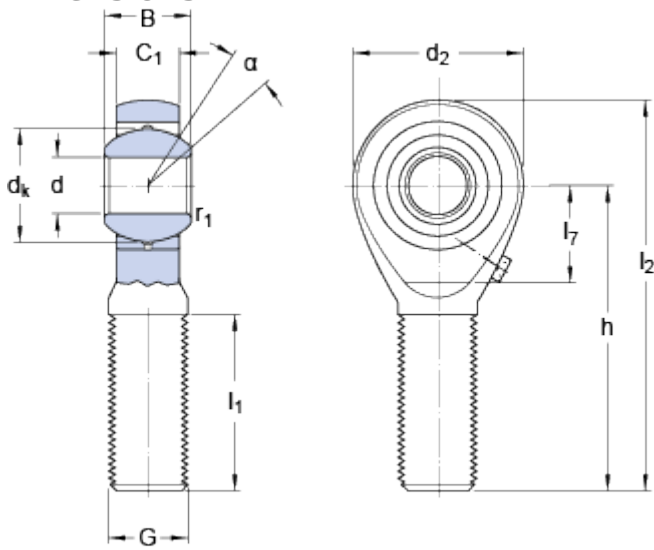


SAKAC 20 M

Dimensions



d		20	mm
d ₂	max.	51	mm
B		25	mm
G		M 20x1.5	
C ₁	max.	18.5	mm
h		78	mm
α		14	°
d _k		34.9	mm
l ₁	min.	45	mm
l ₂	max.	106	mm
r ₁	min.	0.3	mm

Calculation data

Basic dynamic load rating	C	29	kN
Basic static load rating	C	29	kN
Specific dynamic load factor	K	50	N/mm ²
Material constant	K _M	330	

Mass

Mass rod end		0.34	kg
--------------	--	------	----