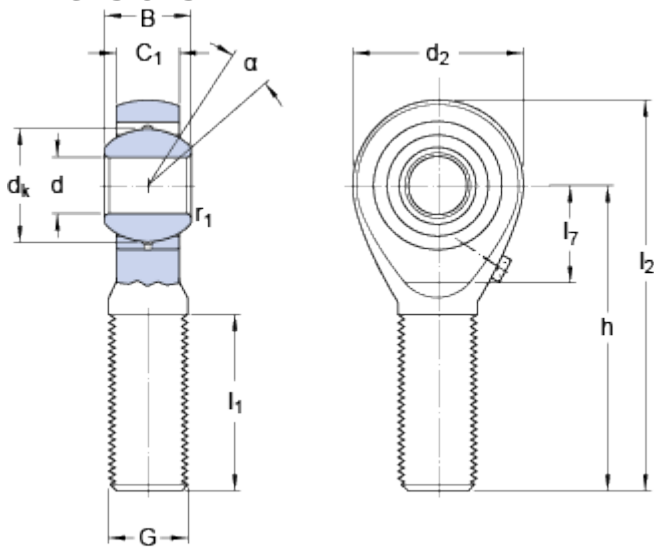


# SAKAC 18 M

## Dimensions



d	18	mm
d <sub>2</sub>	max. 47	mm
B	23	mm
G	M 18x1.5	
C <sub>1</sub>	max. 17.5	mm
h	72	mm
α	15	°
d <sub>k</sub>	31.7	mm
l <sub>1</sub>	min. 41	mm
l <sub>2</sub>	max. 97	mm
r <sub>1</sub>	min. 0.3	mm

## Calculation data

Basic dynamic load rating	C	26	kN
Basic static load rating	C	29	kN
Specific dynamic load factor	K	50	N/mm <sup>2</sup>
Material constant	K <sub>M</sub>	330	

## Mass

Mass rod end	0.26	kg
--------------	------	----