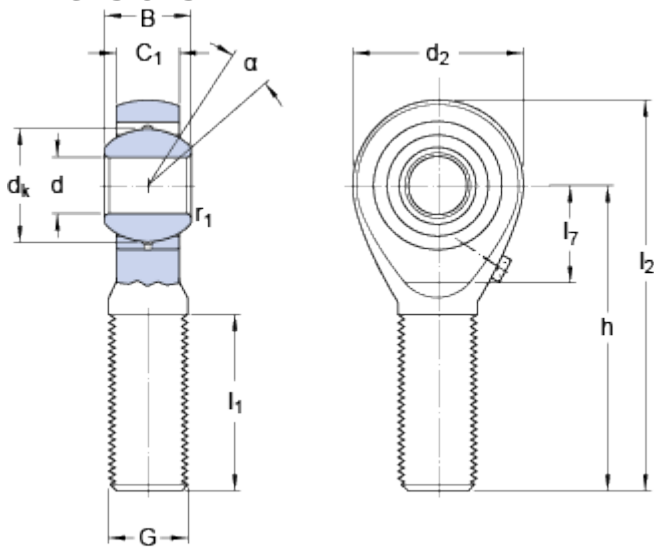


# SAKAC 16 M

## Dimensions



d		16	mm
d <sub>2</sub>	max.	43	mm
B		21	mm
G		M 16	
C <sub>1</sub>	max.	15.5	mm
h		66	mm
α		15	°
d <sub>k</sub>		28.5	mm
l <sub>1</sub>	min.	37	mm
l <sub>2</sub>	max.	89	mm
r <sub>1</sub>	min.	0.3	mm

## Calculation data

Basic dynamic load rating	C	21.6	kN
Basic static load rating	C	23.2	kN
Specific dynamic load factor	K	50	N/mm <sup>2</sup>
Material constant	K <sub>M</sub>	330	

## Mass

Mass rod end		0.19	kg
--------------	--	------	----