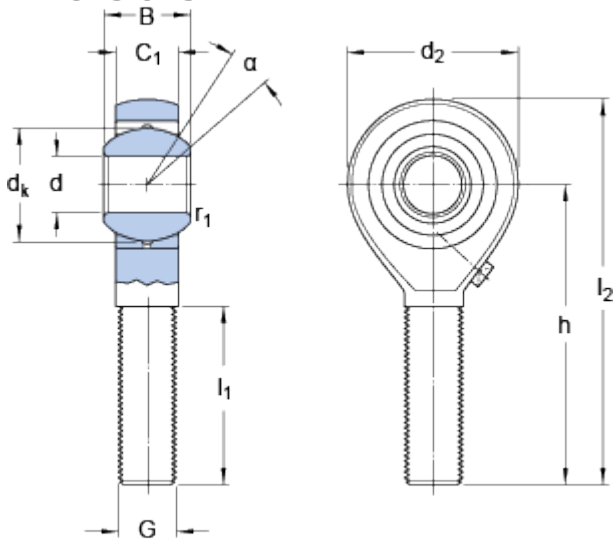


SAKAC 14 M

Dimensions



d		14	mm
d_2	max.	37	mm
B		19	mm
G		M 14	
C_1	max.	14.5	mm
h		60	mm
α		16	°
d_k		25.4	mm
l_1	min.	36	mm
l_2	max.	80	mm
r_1	min.	0.3	mm

Calculation data

Basic dynamic load rating	C	17	kN
Basic static load rating	C	17.3	kN
Specific dynamic load factor	K	50	N/mm ²
Material constant	K_M	330	

Mass

Mass rod end		0.13	kg
--------------	--	------	----