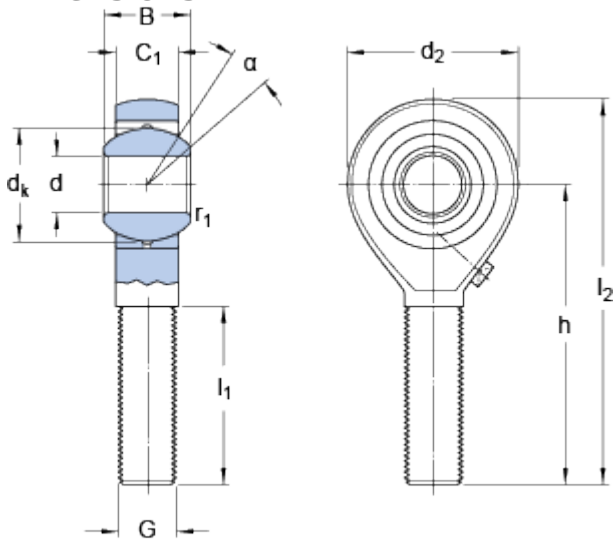


SAKAC 12 M

Dimensions



d		12	mm
d_2	max.	33	mm
B		16	mm
G		M 12	
C_1	max.	12.5	mm
h		54	mm
α		13	°
d_k		22.2	mm
l_1	min.	32	mm
l_2	max.	72	mm
r_1	min.	0.3	mm

Calculation data

Basic dynamic load rating	C	12.2	kN
Basic static load rating	C	12.2	kN
Specific dynamic load factor	K	50	N/mm ²
Material constant	K_M	330	

Mass

Mass rod end	0.085	kg
--------------	-------	----