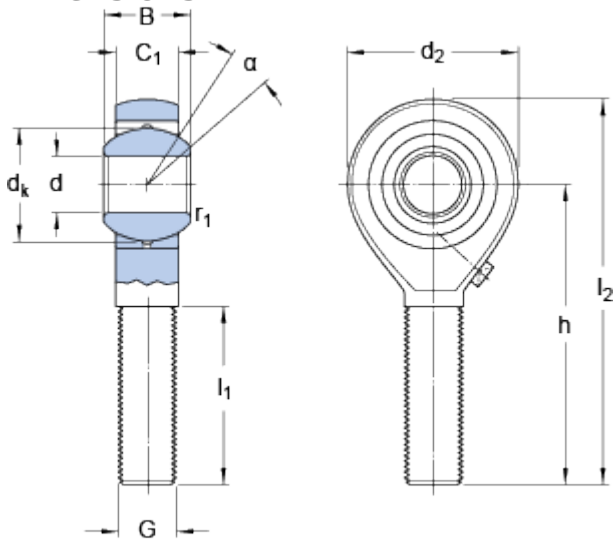


# SAKAC 10 M

## Dimensions



$d$		10	mm
$d_2$	max.	29	mm
$B$		14	mm
$G$		M 10	
$C_1$	max.	11.5	mm
$h$		48	mm
$\alpha$		13	°
$d_k$		19	mm
$l_1$	min.	28	mm
$l_2$	max.	64	mm
$r_1$	min.	0.3	mm

## Calculation data

Basic dynamic load rating	C	10	kN
Basic static load rating	C	10.8	kN
Specific dynamic load factor	K	50	N/mm <sup>2</sup>
Material constant	$K_M$	330	

## Mass

Mass rod end	0.054	kg
--------------	-------	----