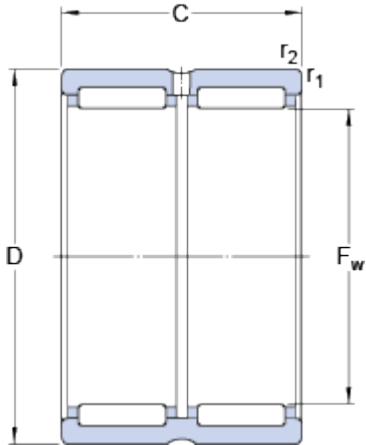


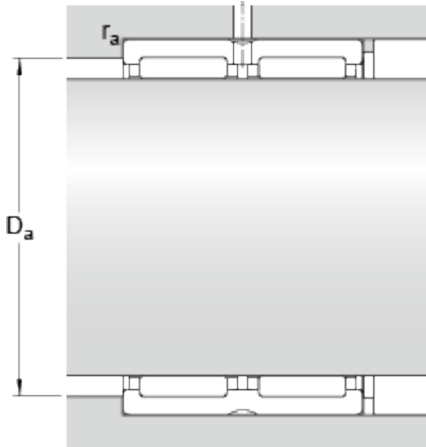
# RNA 6913

## Dimensions



|                  |      |    |    |
|------------------|------|----|----|
| F <sub>w</sub>   |      | 72 | mm |
| D                |      | 90 | mm |
| C                |      | 45 | mm |
| r <sub>1,2</sub> | min. | 1  | mm |

## Abutment dimensions



|                |      |    |    |
|----------------|------|----|----|
| D <sub>a</sub> | max. | 85 | mm |
| r <sub>a</sub> | max. | 1  | mm |

## Calculation data

|                           |                |      |       |
|---------------------------|----------------|------|-------|
| Basic dynamic load rating | C              | 95.2 | kN    |
| Basic static load rating  | C              | 212  | kN    |
| Fatigue load limit        | P <sub>u</sub> | 26   | kN    |
| Reference speed           |                | 5600 | r/min |
| Limiting speed            |                | 6300 | r/min |

## Mass

|              |  |      |    |
|--------------|--|------|----|
| Mass bearing |  | 0.58 | kg |
|--------------|--|------|----|

## Associated products

|                   |  |                                  |  |
|-------------------|--|----------------------------------|--|
| Radial shaft seal |  | <a href="#">72x90x10 HMS5 RG</a> |  |
|-------------------|--|----------------------------------|--|