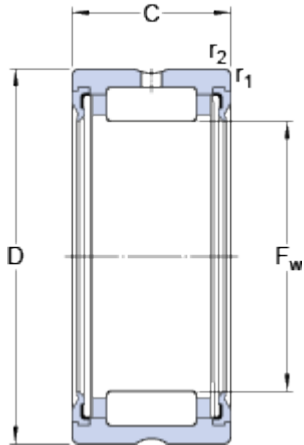


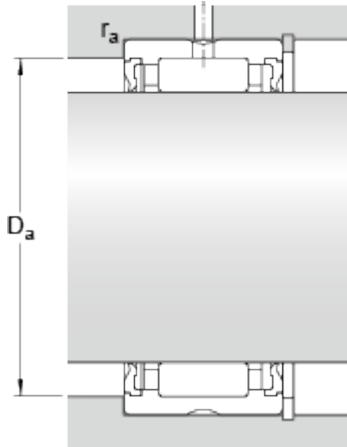
RNA 4910.2RS

Dimensions



F _w		58	mm
D		72	mm
C		22	mm
r _{1,2}	min.	0.6	mm

Abutment dimensions



D _a	max.	68	mm
r _a	max.	0.6	mm

Calculation data

Basic dynamic load rating	C	40.2	kN
Basic static load rating	C	69.5	kN
Fatigue load limit	P _u	8.5	kN
Limiting speed		3400	r/min

Mass

Mass bearing		0.16	kg
--------------	--	------	----