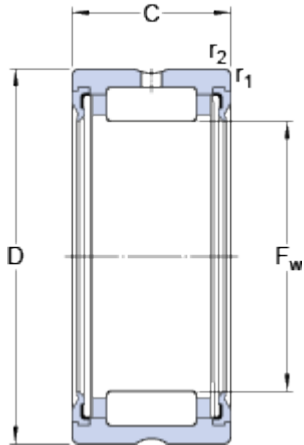


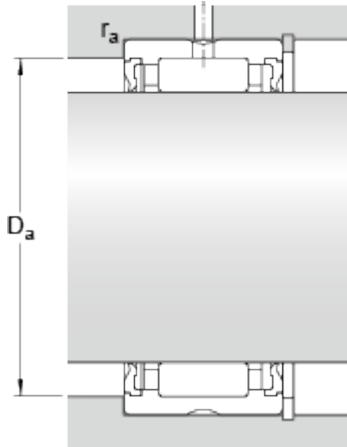
# RNA 4907.2RS

## Dimensions



|                  |      |     |    |
|------------------|------|-----|----|
| F <sub>w</sub>   |      | 42  | mm |
| D                |      | 55  | mm |
| C                |      | 20  | mm |
| r <sub>1,2</sub> | min. | 0.6 | mm |

## Abutment dimensions



|                |      |     |    |
|----------------|------|-----|----|
| D <sub>a</sub> | max. | 51  | mm |
| r <sub>a</sub> | max. | 0.6 | mm |

## Calculation data

|                           |                |      |       |
|---------------------------|----------------|------|-------|
| Basic dynamic load rating | C              | 27   | kN    |
| Basic static load rating  | C              | 43   | kN    |
| Fatigue load limit        | P <sub>u</sub> | 5.3  | kN    |
| Limiting speed            |                | 4800 | r/min |

## Mass

|              |  |      |    |
|--------------|--|------|----|
| Mass bearing |  | 0.11 | kg |
|--------------|--|------|----|