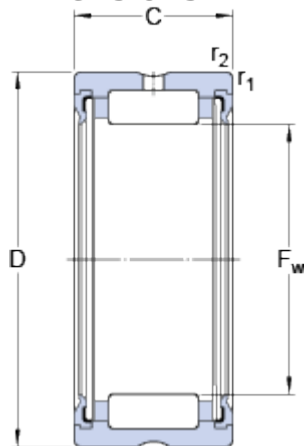


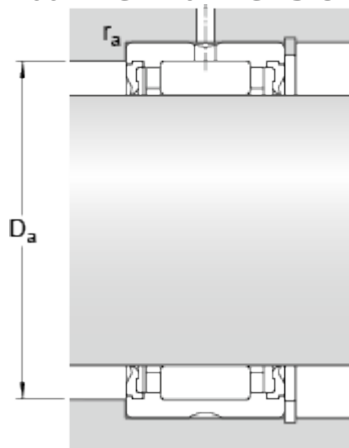
# RNA 4905.2RS

## Dimensions



F <sub>w</sub>		30	mm
D		42	mm
C		17	mm
r <sub>1,2</sub>	min.	0.3	mm

## Abutment dimensions



D <sub>a</sub>	max.	40	mm
r <sub>a</sub>	max.	0.3	mm

## Calculation data

Basic dynamic load rating	C	21.6	kN
Basic static load rating	C	27.5	kN
Fatigue load limit	P <sub>u</sub>	3.25	kN
Limiting speed		6300	r/min

## Mass

Mass bearing		0.06	kg
--------------	--	------	----