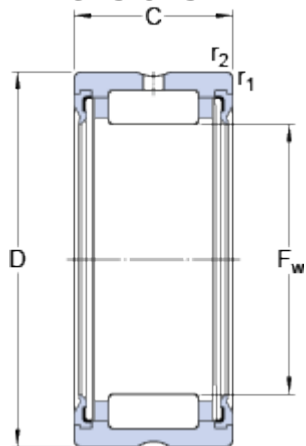


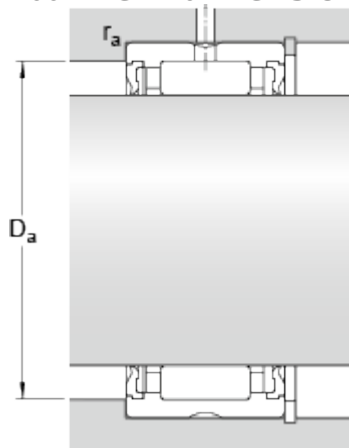
RNA 4903.2RS

Dimensions



F _w		22	mm
D		30	mm
C		13	mm
r _{1,2}	min.	0.3	mm

Abutment dimensions



D _a	max.	28	mm
r _a	max.	0.3	mm

Calculation data

Basic dynamic load rating	C	9.52	kN
Basic static load rating	C	12.9	kN
Fatigue load limit	P _u	1.53	kN
Limiting speed		9000	r/min

Mass

Mass bearing		0.023	kg
--------------	--	-------	----