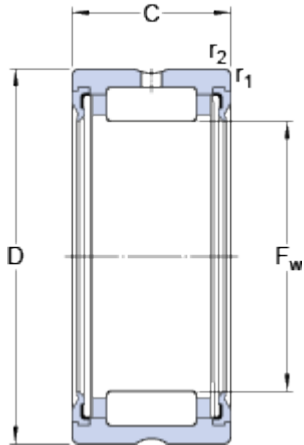


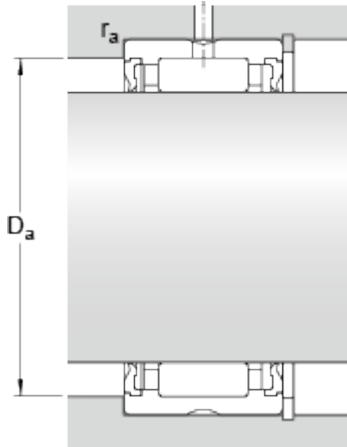
# RNA 4902.2RS

## Dimensions



F <sub>w</sub>		20	mm
D		28	mm
C		13	mm
r <sub>1,2</sub>	min.	0.3	mm

## Abutment dimensions



D <sub>a</sub>	max.	26	mm
r <sub>a</sub>	max.	0.3	mm

## Calculation data

Basic dynamic load rating	C	9.13	kN
Basic static load rating	C	12	kN
Fatigue load limit	P <sub>u</sub>	1.43	kN
Limiting speed		9500	r/min

## Mass

Mass bearing		0.021	kg
--------------	--	-------	----