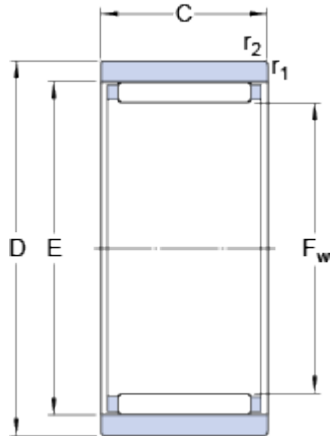


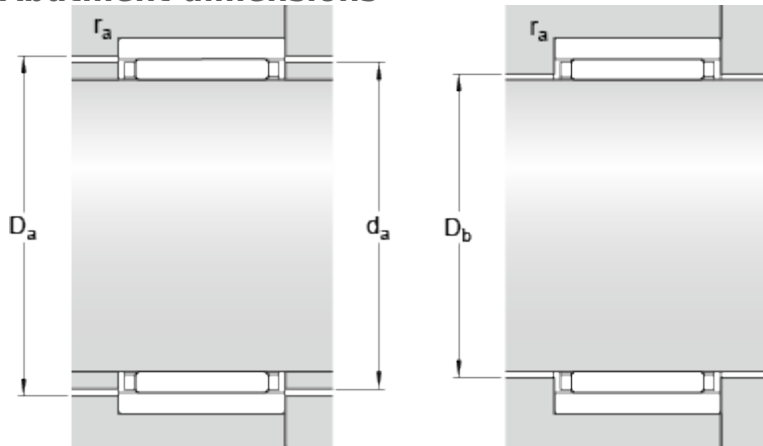
RNAO 50x65x20

Dimensions



F _w	50	mm
D	65	mm
C	20	mm
E	58	mm
r _{1,2}	min. 0.3	mm

Abutment dimensions



d _a	57.2	mm
D _a	58.5	mm
D _b	50.6	mm
r _a	max. 0.3	mm

Calculation data

Basic dynamic load rating	C	34.1	kN
Basic static load rating	C	62	kN
Fatigue load limit	P _u	7.65	kN
Reference speed		8000	r/min
Limiting speed		9000	r/min

Mass

Mass bearing		0.17	kg
--------------	--	------	----