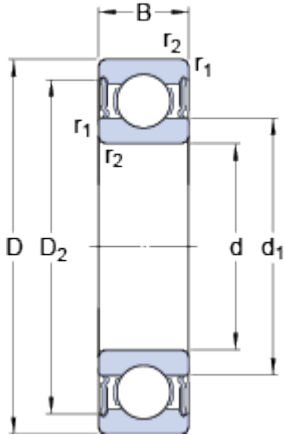


# RLS 7-2RS1

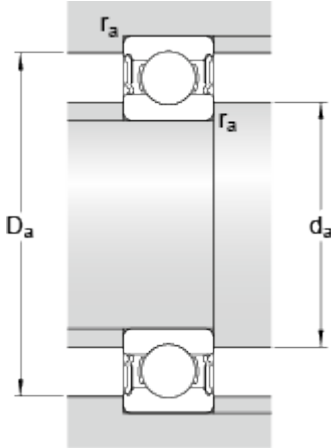
Aftermarket only

## Dimensions



d		22.225	mm
D		50.8	mm
B		14.288	mm
d <sub>1</sub>	≈	32.2	mm
D <sub>2</sub>	≈	44	mm
r <sub>1,2</sub>	min.	1.6	mm

## Abutment dimensions



d <sub>a</sub>	min.	29.5	mm
D <sub>a</sub>	max.	43	mm
r <sub>a</sub>	max.	1.5	mm

## Calculation data

Basic dynamic load rating	C	14	kN
Basic static load rating	C	7.65	kN
Fatigue load limit	P <sub>u</sub>	0.325	kN
Limiting speed		9000	r/min
Calculation factor	k <sub>r</sub>	0.025	
Calculation factor	f	13.6	

## Mass

Mass bearing		0.13	kg
--------------	--	------	----