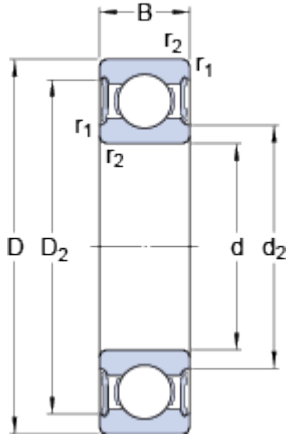


RLS 5

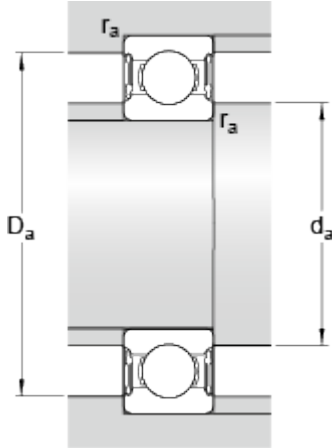
Aftermarket only

Dimensions



d		15.875	mm
D		39.688	mm
B		11.112	mm
d ₂	≈	21.5	mm
D ₂	≈	34.98	mm
r _{1,2}	min.	0.8	mm

Abutment dimensions



d _a	min.	20	mm
D _a	max.	35	mm
r _a	max.	0.8	mm

Calculation data

Basic dynamic load rating	C	9.56	kN
Basic static load rating	C	4.75	kN
Fatigue load limit	P _u	0.2	kN
Reference speed		34000	r/min
Limiting speed		24000	r/min
Calculation factor	k _r	0.025	
Calculation factor	f	13.1	

Mass

Mass bearing		0.066	kg
--------------	--	-------	----