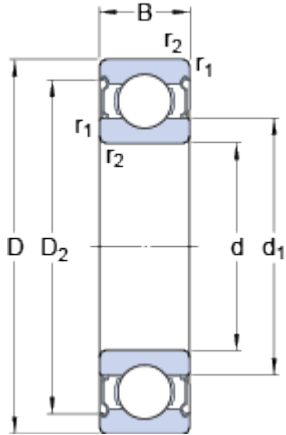


# RLS 10-2Z

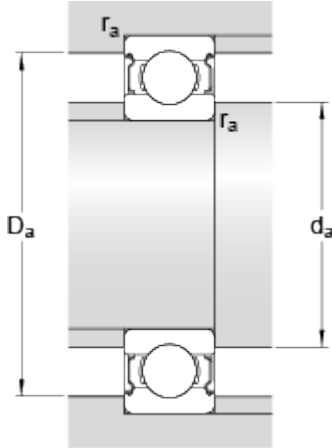
Aftermarket only

## Dimensions



d		31.75	mm
D		69.85	mm
B		17.462	mm
d <sub>1</sub>	≈	42.3	mm
D <sub>2</sub>	≈	57.1	mm
r <sub>1,2</sub>	min.	1.6	mm

## Abutment dimensions



d <sub>a</sub>	min.	39	mm
d <sub>a</sub>	max.	42.1	mm
D <sub>a</sub>	max.	62	mm
r <sub>a</sub>	max.	1.5	mm

## Calculation data

Basic dynamic load rating	C	22.5	kN
Basic static load rating	C	13.2	kN
Fatigue load limit	P <sub>u</sub>	0.55	kN
Reference speed		20000	r/min
Limiting speed		10000	r/min
Calculation factor	k <sub>r</sub>	0.025	
Calculation factor	f	14	

## Mass

Mass bearing		0.31	kg
--------------	--	------	----