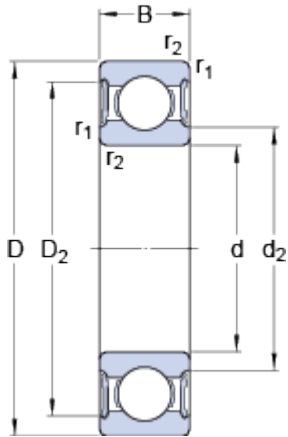


RLS 10-2RS1

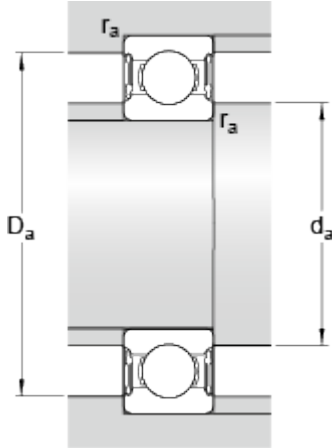
Aftermarket only

Dimensions



d		31.75	mm
D		69.85	mm
B		17.462	mm
d ₂	≈	39.6	mm
D ₂	≈	57.1	mm
r _{1,2}	min.	1.6	mm

Abutment dimensions



d _a	min.	39	mm
d _a	max.	42.1	mm
D _a	max.	62	mm
r _a	max.	1.5	mm

Calculation data

Basic dynamic load rating	C	22.5	kN
Basic static load rating	C	13.2	kN
Fatigue load limit	P _u	0.55	kN
Limiting speed		7000	r/min
Calculation factor	k _r	0.025	
Calculation factor	f	14	

Mass

Mass bearing		0.31	kg
--------------	--	------	----