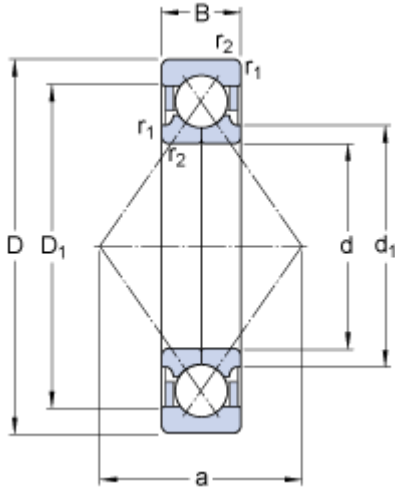


QJ 311 MA

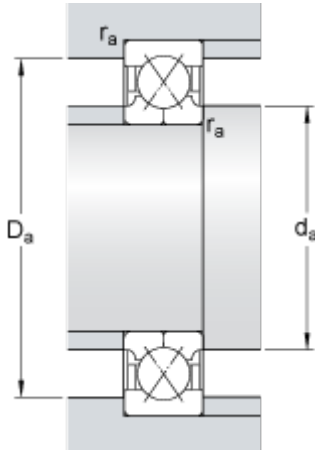
SKF Explorer

Dimensions



d	55	mm
D	120	mm
B	29	mm
d ₁	≈ 70.5	mm
D ₁	≈ 97.8	mm
a	61	mm
r _{1,2}	min. 2	mm

Abutment dimensions



d _a	min.	66	mm
D _a	max.	109	mm
r _a	max.	2	mm

Calculation data

Basic dynamic load rating	C	137	kN
Basic static load rating	C	118	kN
Fatigue load limit	P _u	5	kN
Limiting speed		10000	r/min
Calculation factor	A	0.0404	
Calculation factor	e	0.95	
Calculation factor	X	0.6	
Calculation factor	Y	0.58	
Calculation factor	Y ₁	0.66	
Calculation factor	Y ₂	1.07	

Mass

Mass bearing	1.75	kg
--------------	------	----

