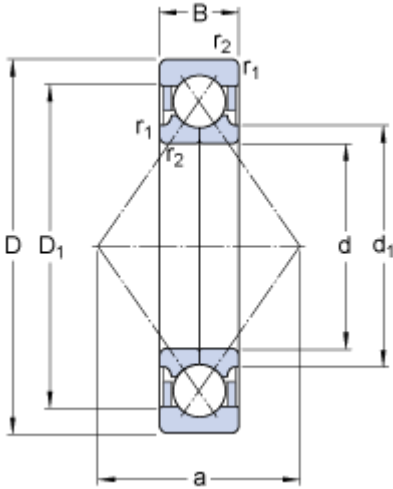


QJ 309 MA

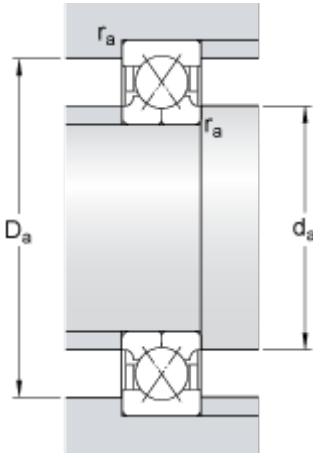
SKF Explorer

Dimensions



d		45	mm
D		100	mm
B		25	mm
d ₁	≈	58	mm
D ₁	≈	81.2	mm
a		51	mm
r _{1,2}	min.	1.5	mm

Abutment dimensions



d _a	min.	54	mm
D _a	max.	91	mm
r _a	max.	1.5	mm

Calculation data

Basic dynamic load rating	C	100	kN
Basic static load rating	C	83	kN
Fatigue load limit	P _u	3.55	kN
Limiting speed		12000	r/min
Calculation factor	A	0.0202	
Calculation factor	e	0.95	
Calculation factor	X	0.6	
Calculation factor	Y	0.58	
Calculation factor	Y ₁	0.66	
Calculation factor	Y ₂	1.07	

Mass

Mass bearing		1.05	kg
--------------	--	------	----

