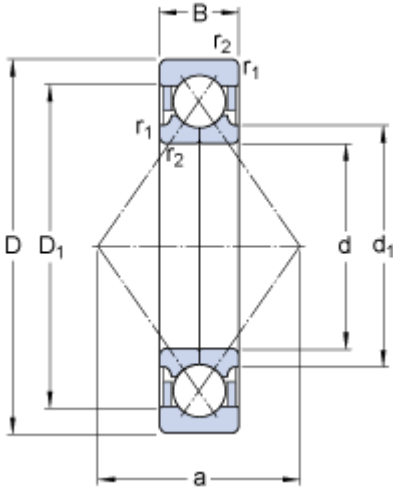


QJ 308 MA

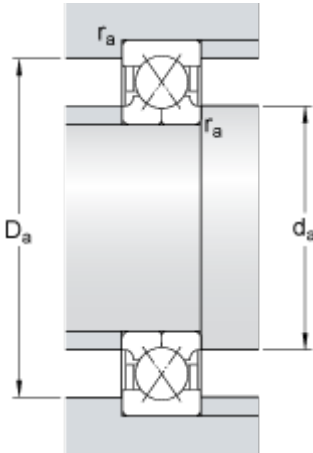
SKF Explorer

Dimensions



d	40	mm
D	90	mm
B	23	mm
d ₁	≈ 52	mm
D ₁	≈ 72.5	mm
a	46	mm
r _{1,2}	min. 1.5	mm

Abutment dimensions



d _a	min.	49	mm
D _a	max.	81	mm
r _a	max.	1.5	mm

Calculation data

Basic dynamic load rating	C	78	kN
Basic static load rating	C	64	kN
Fatigue load limit	P ₀	2.7	kN
Limiting speed		14000	r/min
Calculation factor	A	0.0118	
Calculation factor	e	0.95	
Calculation factor	X	0.6	
Calculation factor	Y	0.58	
Calculation factor	Y ₁	0.66	
Calculation factor	Y ₂	1.07	

Mass

Mass bearing	0.78	kg
--------------	------	----

