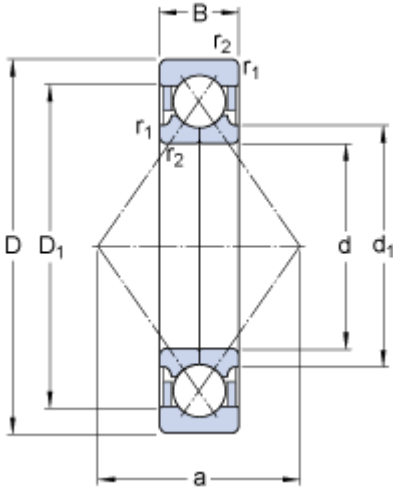


QJ 307 MA

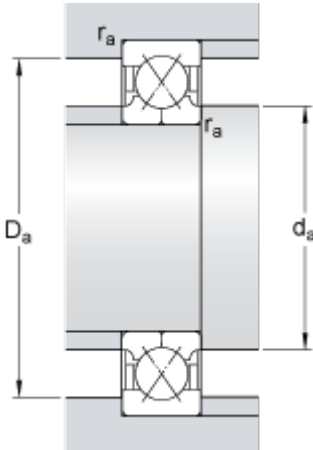
SKF Explorer

Dimensions



d	35	mm
D	80	mm
B	21	mm
d ₁	≈ 46.2	mm
D ₁	≈ 64.3	mm
a	40	mm
r _{1,2}	min. 1.5	mm

Abutment dimensions



d _a	min.	44	mm
D _a	max.	71	mm
r _a	max.	1.5	mm

Calculation data

Basic dynamic load rating	C	64	kN
Basic static load rating	C	51	kN
Fatigue load limit	P _u	2.16	kN
Limiting speed		15000	r/min
Calculation factor	A	0.00744	
Calculation factor	e	0.95	
Calculation factor	X	0.6	
Calculation factor	Y	0.58	
Calculation factor	Y ₁	0.66	
Calculation factor	Y ₂	1.07	

Mass

Mass bearing	0.57	kg
--------------	------	----

