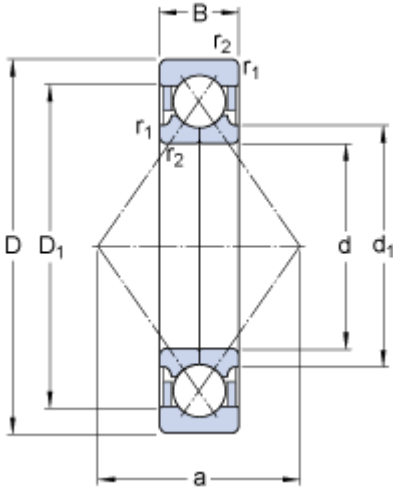


# QJ 306 MA

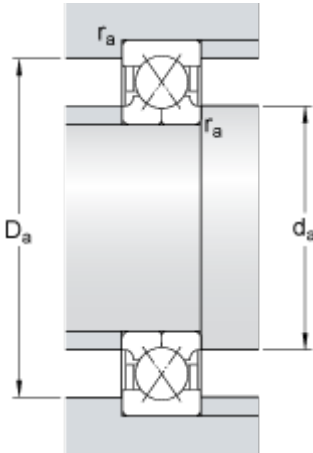
SKF Explorer

## Dimensions



d	30	mm
D	72	mm
B	19	mm
d <sub>1</sub>	≈ 40.5	mm
D <sub>1</sub>	≈ 58.2	mm
a	36	mm
r <sub>1,2</sub>	min. 1.1	mm

## Abutment dimensions



d <sub>a</sub>	min.	37	mm
D <sub>a</sub>	max.	65	mm
r <sub>a</sub>	max.	1	mm

## Calculation data

Basic dynamic load rating	C	53	kN
Basic static load rating	C	41.5	kN
Fatigue load limit	P <sub>0</sub>	1.76	kN
Limiting speed		17000	r/min
Calculation factor	A	0.00508	
Calculation factor	e	0.95	
Calculation factor	X	0.6	
Calculation factor	Y	0.58	
Calculation factor	Y <sub>1</sub>	0.66	
Calculation factor	Y <sub>2</sub>	1.07	

## Mass

Mass bearing	0.42	kg
--------------	------	----

