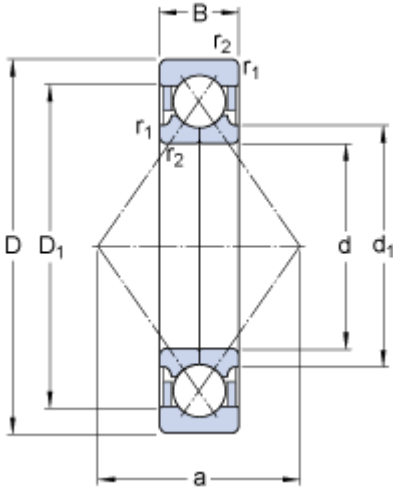


QJ 215 MA

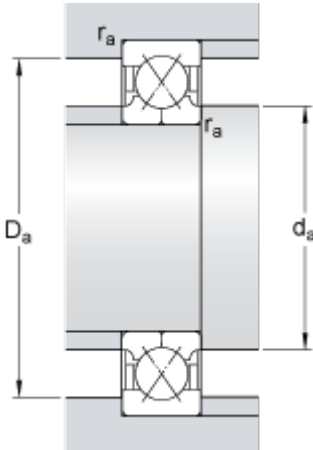
SKF Explorer

Dimensions



D	130	mm
B	25	mm
d ₁	≈ 88.5	mm
D ₁	≈ 112	mm
a	72	mm

Abutment dimensions



d _a	min.	84	mm
D _a	max.	121	mm
r _a	max.	1.5	mm

Calculation data

Basic dynamic load rating	C	125	kN
Basic static load rating	C	132	kN
Fatigue load limit	P _u	5.6	kN
Limiting speed		8500	r/min
Calculation factor	A	0.0453	
Calculation factor	e	0.95	
Calculation factor	X	0.6	
Calculation factor	Y	0.58	
Calculation factor	Y ₁	0.66	
Calculation factor	Y ₂	1.07	

Mass

Mass bearing	1.45	kg
--------------	------	----

