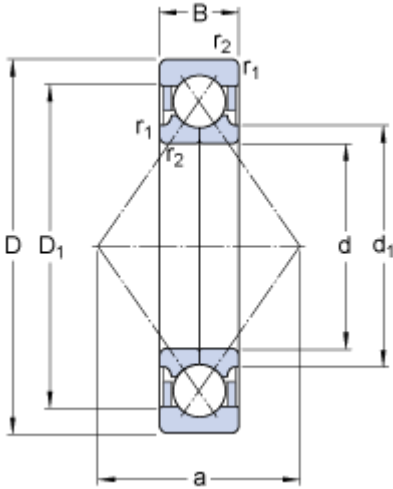


QJ 213 MA

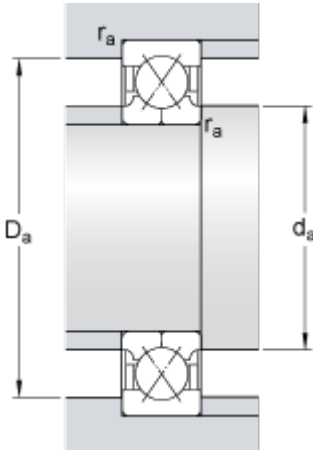
SKF Explorer

Dimensions



d	65	mm
D	120	mm
B	23	mm
d ₁	≈ 78.5	mm
D ₁	≈ 101	mm
a	65	mm
r _{1,2}	min. 1.5	mm

Abutment dimensions



d _a	min.	74	mm
D _a	max.	111	mm
r _a	max.	1.5	mm

Calculation data

Basic dynamic load rating	C	110	kN
Basic static load rating	C	112	kN
Fatigue load limit	P _u	4.75	kN
Limiting speed		9500	r/min
Calculation factor	A	0.033	
Calculation factor	e	0.95	
Calculation factor	X	0.6	
Calculation factor	Y	0.58	
Calculation factor	Y ₁	0.66	
Calculation factor	Y ₂	1.07	

Mass

Mass bearing		1.2	kg
--------------	--	-----	----

