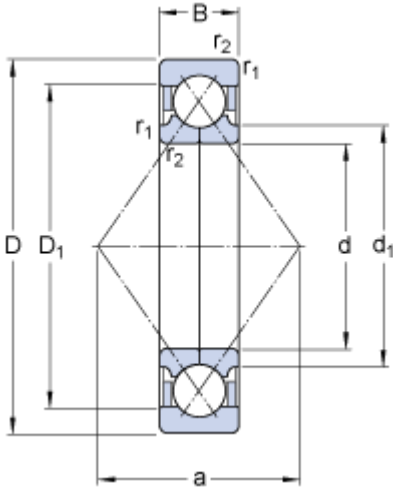


QJ 212 MA

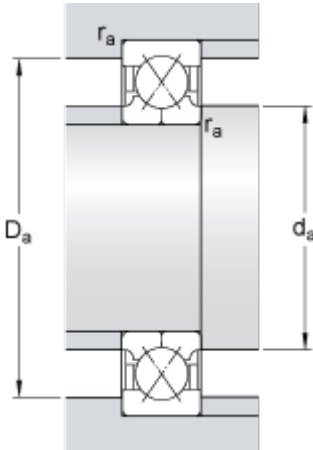
SKF Explorer

Dimensions



d		60	mm
D		110	mm
B		22	mm
d ₁	≈	72	mm
D ₁	≈	93	mm
a		60	mm
r _{1,2}	min.	1.5	mm

Abutment dimensions



d _a	min.	69	mm
D _a	max.	101	mm
r _a	max.	1.5	mm

Calculation data

Basic dynamic load rating	C	96.5	kN
Basic static load rating	C	93	kN
Fatigue load limit	P ₀	4	kN
Limiting speed		10000	r/min
Calculation factor	A	0.0242	
Calculation factor	e	0.95	
Calculation factor	X	0.6	
Calculation factor	Y	0.58	
Calculation factor	Y ₁	0.66	
Calculation factor	Y ₂	1.07	

Mass

Mass bearing		0.99	kg
--------------	--	------	----

