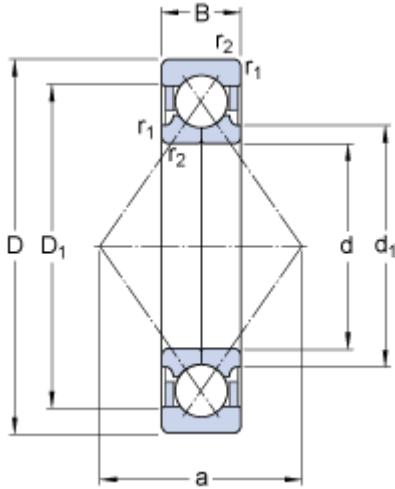


# QJ 211 MA

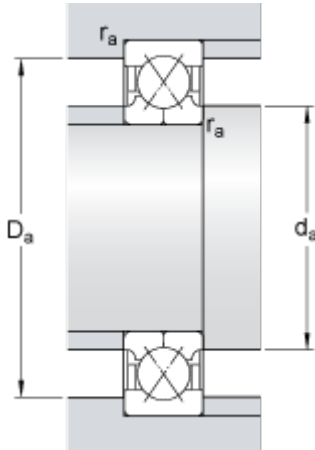
SKF Explorer

## Dimensions



d		55	mm
D		100	mm
B		21	mm
d <sub>1</sub>	≈	66	mm
D <sub>1</sub>	≈	84.7	mm
a		54	mm
r <sub>1,2</sub>	min.	1.5	mm

## Abutment dimensions



d <sub>a</sub>	min.	64	mm
D <sub>a</sub>	max.	91	mm
r <sub>a</sub>	max.	1.5	mm

## Calculation data

Basic dynamic load rating	C	85	kN
Basic static load rating	C	83	kN
Fatigue load limit	P <sub>u</sub>	3.55	kN
Limiting speed		11000	r/min
Calculation factor	A	0.0173	
Calculation factor	e	0.95	
Calculation factor	X	0.6	
Calculation factor	Y	0.58	
Calculation factor	Y <sub>1</sub>	0.66	
Calculation factor	Y <sub>2</sub>	1.07	

## Mass

Mass bearing		0.77	kg
--------------	--	------	----

