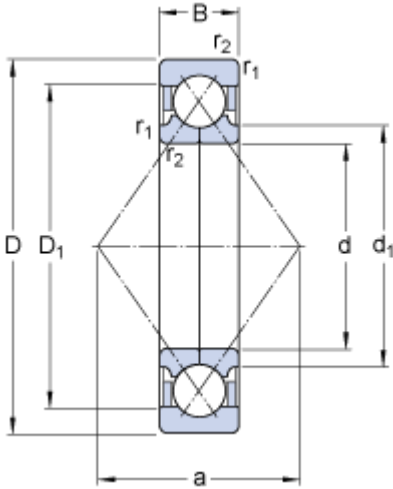


QJ 210 MA

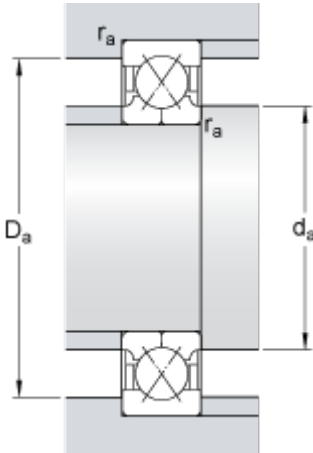
SKF Explorer

Dimensions



d	50	mm
D	90	mm
B	20	mm
d ₁	≈ 59.5	mm
D ₁	≈ 76.5	mm
a	49	mm
r _{1,2}	min. 1.1	mm

Abutment dimensions



d _a	min.	57	mm
D _a	max.	83	mm
r _a	max.	1	mm

Calculation data

Basic dynamic load rating	C	65.5	kN
Basic static load rating	C	61	kN
Fatigue load limit	P _u	2.6	kN
Limiting speed		13000	r/min
Calculation factor	A	0.0103	
Calculation factor	e	0.95	
Calculation factor	X	0.6	
Calculation factor	Y	0.58	
Calculation factor	Y ₁	0.66	
Calculation factor	Y ₂	1.07	

Mass

Mass bearing	0.59	kg
--------------	------	----

