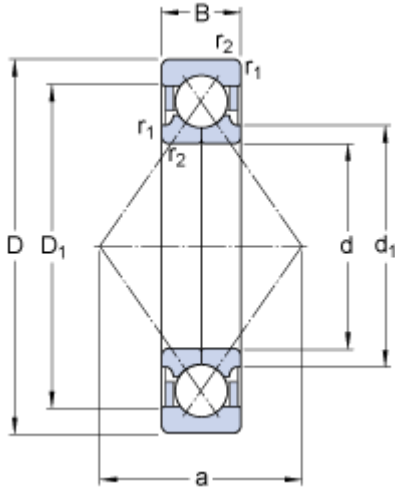


QJ 209 MA

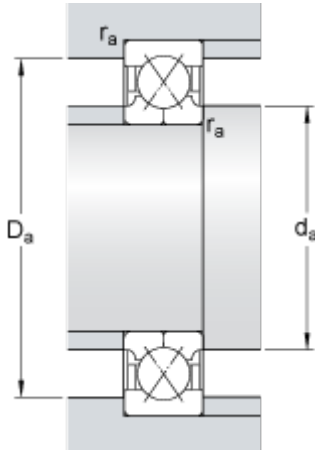
SKF Explorer

Dimensions



d	45	mm
D	85	mm
B	19	mm
d ₁	≈ 54.5	mm
D ₁	≈ 72	mm
a	46	mm
r _{1,2}	min. 1.1	mm

Abutment dimensions



d _a	min.	52	mm
D _a	max.	78	mm
r _a	max.	1	mm

Calculation data

Basic dynamic load rating	C	63	kN
Basic static load rating	C	56	kN
Fatigue load limit	P _u	2.36	kN
Limiting speed		14000	r/min
Calculation factor	A	0.00871	
Calculation factor	e	0.95	
Calculation factor	X	0.6	
Calculation factor	Y	0.58	
Calculation factor	Y ₁	0.66	
Calculation factor	Y ₂	1.07	

Mass

Mass bearing	0.52	kg
--------------	------	----

