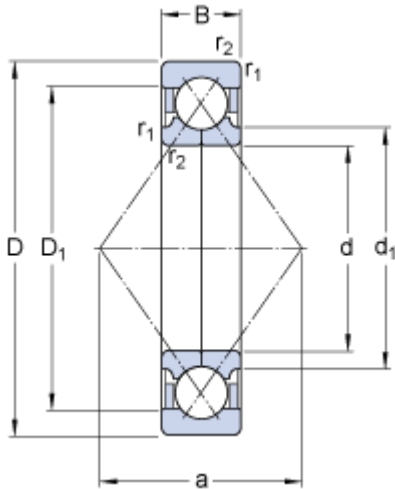


# QJ 208 MA

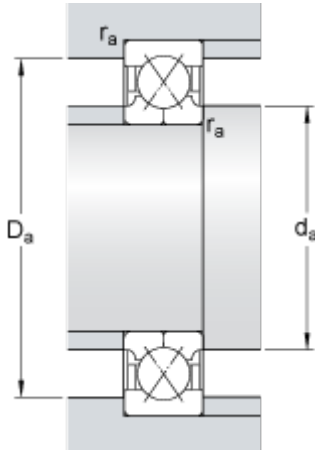
SKF Explorer

## Dimensions



d	40	mm
D	80	mm
B	18	mm
d <sub>1</sub>	≈ 49.5	mm
D <sub>1</sub>	≈ 66	mm
a	42	mm
r <sub>1,2</sub>	min. 1.1	mm

## Abutment dimensions



d <sub>a</sub>	min.	47	mm
D <sub>a</sub>	max.	73	mm
r <sub>a</sub>	max.	1	mm

## Calculation data

Basic dynamic load rating	C	56	kN
Basic static load rating	C	49	kN
Fatigue load limit	P <sub>u</sub>	2.08	kN
Limiting speed		15000	r/min
Calculation factor	A	0.0066	
Calculation factor	e	0.95	
Calculation factor	X	0.6	
Calculation factor	Y	0.58	
Calculation factor	Y <sub>1</sub>	0.66	
Calculation factor	Y <sub>2</sub>	1.07	

## Mass

Mass bearing	0.45	kg
--------------	------	----

