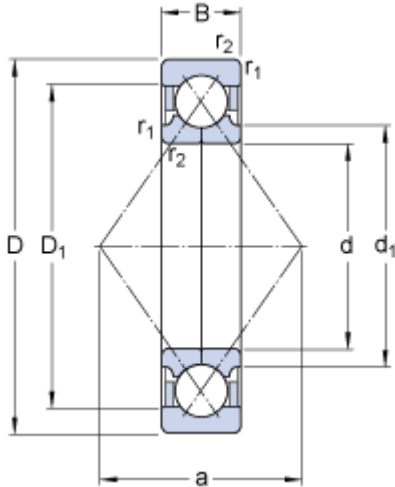


QJ 206 MA

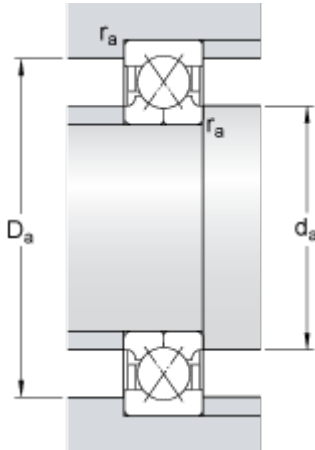
SKF Explorer

Dimensions



d	30	mm
D	62	mm
B	16	mm
d ₁	≈ 37.5	mm
D ₁	≈ 50.8	mm
a	32	mm
r _{1,2}	min. 1	mm

Abutment dimensions



d _a	min.	35.6	mm
D _a	max.	56.4	mm
r _a	max.	1	mm

Calculation data

Basic dynamic load rating	C	37.5	kN
Basic static load rating	C	30.5	kN
Fatigue load limit	P _u	1.29	kN
Limiting speed		19000	r/min
Calculation factor	A	0.00256	
Calculation factor	e	0.95	
Calculation factor	X	0.6	
Calculation factor	Y	0.58	
Calculation factor	Y ₁	0.66	
Calculation factor	Y ₂	1.07	

Mass

Mass bearing	0.24	kg
--------------	------	----

