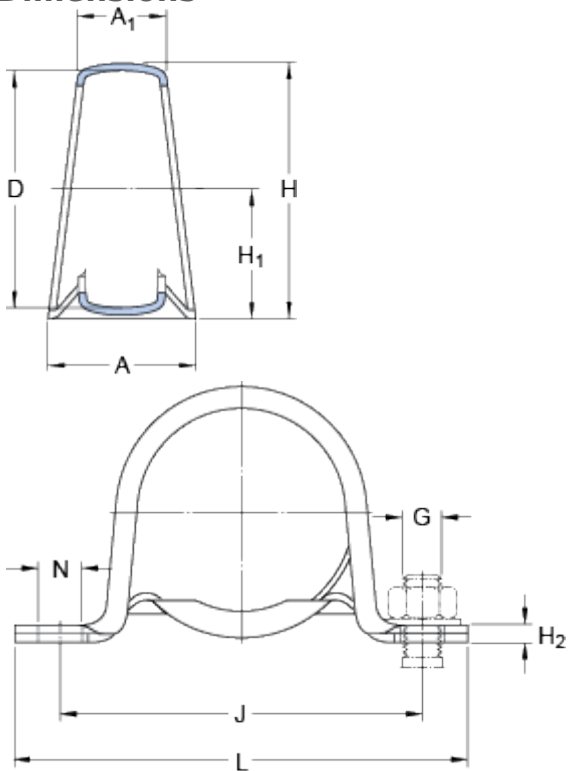


P 80

Dimensions



D	80	mm
A	43	mm
A ₁	29	mm
H	86	mm
H ₁	43.6	mm
H ₂	5	mm
J	120	mm
L	148	mm
N	14	mm

Calculation data

Permissible radial load	max.	3.8	kN
-------------------------	------	-----	----

Mass

Mass housing	0.31	kg
--------------	------	----

Mounting information

Recommended diameter for attachment bolts, mm	G	12	mm
Recommended diameter for attachment bolts, inch	G	0.5	in