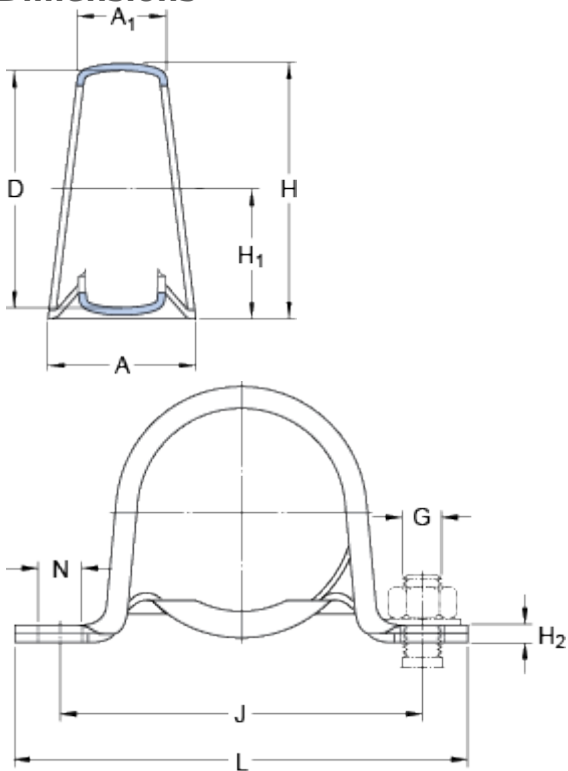


# P 72

## Dimensions



D	72	mm
A	41	mm
A <sub>1</sub>	27	mm
H	78	mm
H <sub>1</sub>	39.3	mm
H <sub>2</sub>	5	mm
J	106	mm
L	130	mm
N	11.2	mm

## Calculation data

Permissible radial load	max.	3.3	kN
-------------------------	------	-----	----

## Mass

Mass housing	0.27	kg
--------------	------	----

## Mounting information

Recommended diameter for attachment bolts, mm	G	10	mm
Recommended diameter for attachment bolts, inch	G	0.375	in