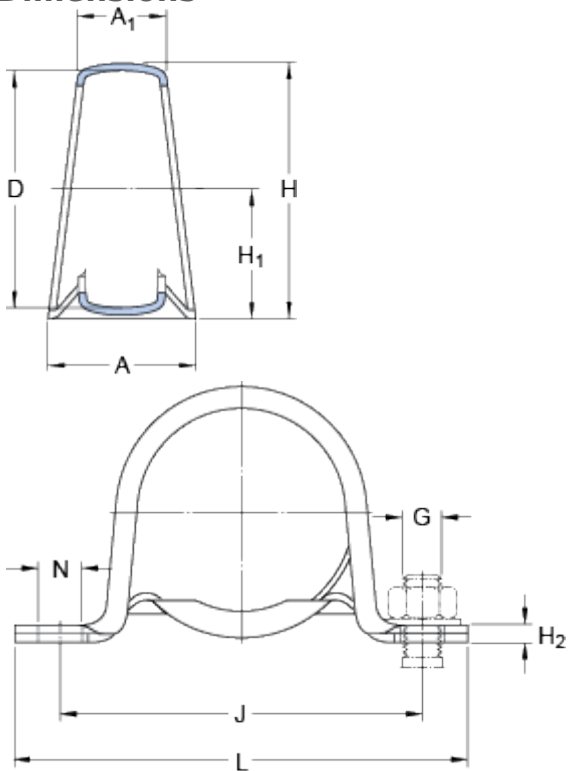


P 52

Dimensions



D	52	mm
A	32	mm
A ₁	23	mm
H	56	mm
H ₁	28.4	mm
H ₂	3.2	mm
J	86	mm
L	108	mm
N	11.2	mm

Calculation data

Permissible radial load	max.	1.8	kN
-------------------------	------	-----	----

Mass

Mass housing	0.1	kg
--------------	-----	----

Mounting information

Recommended diameter for attachment bolts, mm	G	10	mm
Recommended diameter for attachment bolts, inch	G	0.375	in