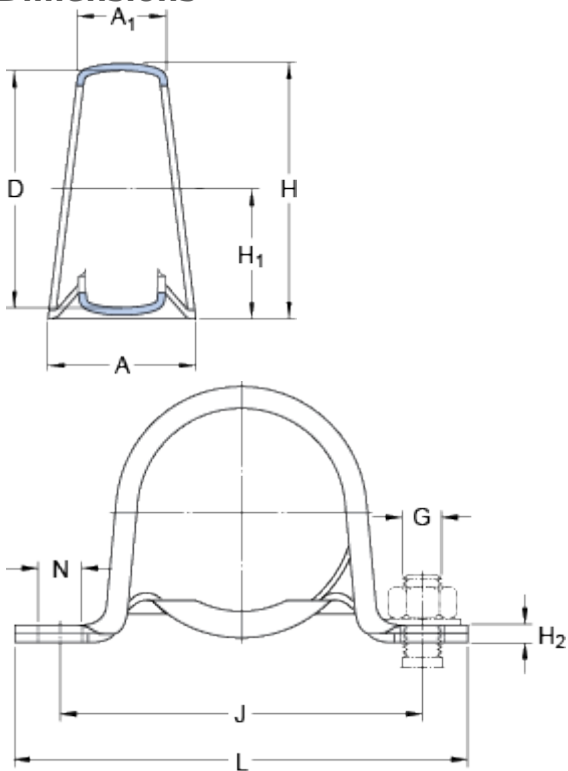


P 47

Dimensions



D	47	mm
A	32	mm
A ₁	21	mm
H	50.5	mm
H ₁	25.3	mm
H ₂	3	mm
J	76	mm
L	98.5	mm
N	9.6	mm

Calculation data

Permissible radial load	max.	1.7	kN
-------------------------	------	-----	----

Mass

Mass housing	0.09	kg
--------------	------	----

Mounting information

Recommended diameter for attachment bolts, mm	G	8	mm
Recommended diameter for attachment bolts, inch	G	0.3125	in