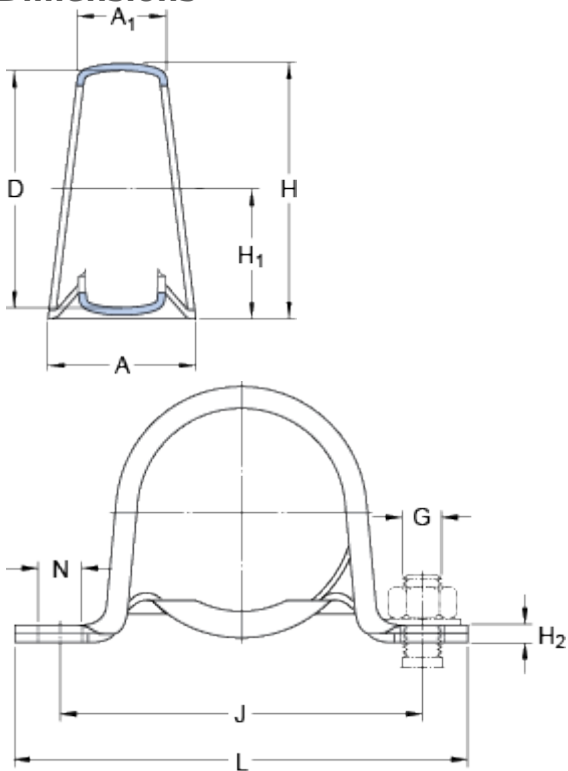


P 40

Dimensions



D	40	mm
A	26	mm
A ₁	18	mm
H	43.5	mm
H ₁	22.1	mm
H ₂	3	mm
J	68	mm
L	85.5	mm
N	9.6	mm

Calculation data

Permissible radial load	max.	1.25	kN
-------------------------	------	------	----

Mass

Mass housing	0.06	kg
--------------	------	----

Mounting information

Recommended diameter for attachment bolts, mm	G	8	mm
Recommended diameter for attachment bolts, inch	G	0.3125	in