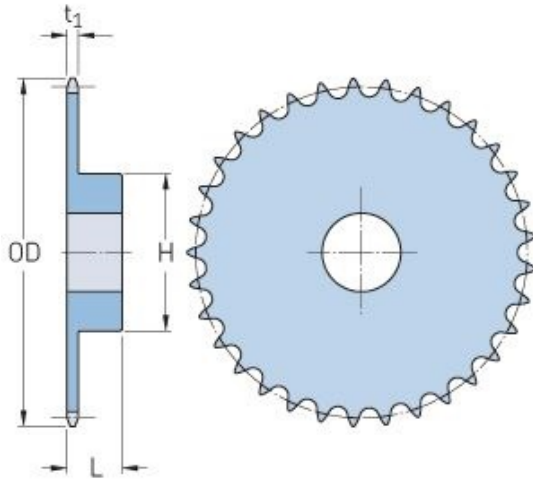


# PHS 60-1B48



Pitch P (in)	0.75
No. of teeth	48
Diameter (in)	11.89
Min. bore (in)	0.94
Max. bore (in)	2.75
Hub H (in)	4.25
Hub L (in)	1.25
Weight (lbs)	15.82