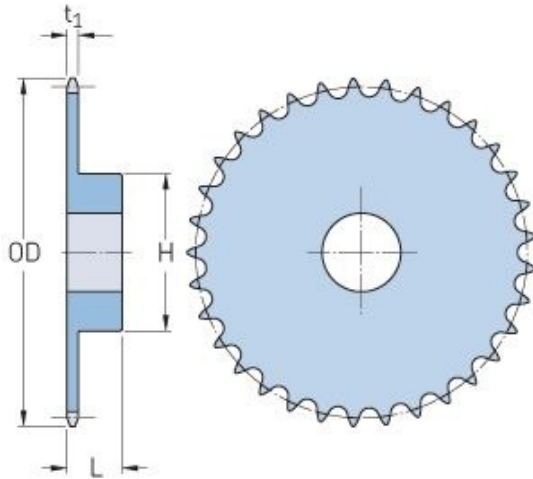


# PHS 60-1B45



Pitch P (in)	<b>0.75</b>
No. of teeth	<b>45</b>
Diameter (in)	<b>11.18</b>
Min. bore (in)	<b>0.94</b>
Max. bore (in)	<b>2.75</b>
Hub H (in)	<b>4.25</b>
Hub L (in)	<b>1.25</b>
Weight (lbs)	<b>13.98</b>